



LED Tube Lighting

T8 Fluorescent Tube Replacement Installation Manual

To help ensure this LED tube gives complete satisfaction – only use it according to the following instructions, and then pass the instruction to the appropriate person for retention and future reference. A QR code is also available on the physical tube to obtain a digital copy if required.

Purple Cap = 24VDC Grey Cap = 52VDC Yellow Cap = 110VDC Blue Cap = 230VAC

Warning

Installation must be carried out by a suitable qualified technician/electrician. When installing or using this LED tube, basic safety precautions should always be followed, including the following:

1. Read all instructions.
2. Switch off the power supply before installation or maintenance.
3. This LED tube is designed for indoor use and dry place application.
4. This LED tube is designed to be connected and be live one end only.
5. This LED tube can only be used with Luminaire fittings that have been designed or modified (as per diagram below) to fit LED tubes supplied at one end only.
6. This LED tube is designed for general lighting service (excluding for example Explosive atmospheres).
7. This LED tube is not suitable for dimming.
8. This LED tube is not polarity sensitive.
9. This LED tube is not suitable for Emergency circuits.
10. Tubes must not exceed the supply voltage range or amperage ratings as detailed in EN50155 as this may damage the tube.
11. Do not operate if product is damaged.
12. C&D recommend that the fitting of a centre spring clip is installed to support LED strip lights longer than 1200mm. (If required, contact C&D and request part number TPC1031).

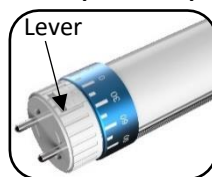
Rotating Endcaps

As standard, all LED tubes are fitted with rotating end-caps that allow you to maximise the light output direction by up to 90° in both directions. The rotating end caps are also fitted with a lock feature to prevent unwanted rotation during any movement/vibration after installation.

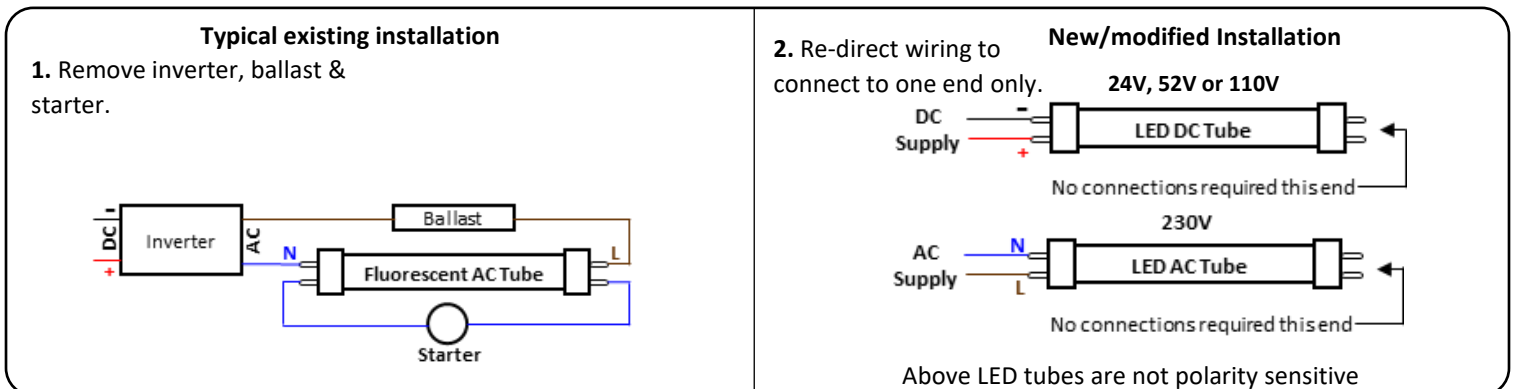
Operating a rotating endcap

1. Slide lever to release.
2. Rotate cap to position.
3. Ensure lever is returned to original resting position.

Example endcap



	Conforms to all relevant EC Directive requirements
	Conforms to all relevant UKCA Directive requirements
	This tube is not suitable for dimming
	This tube is not suitable for emergency circuits
	This tube must be used in dry conditions or in a luminaire that provides correct protection
	This lamp is suitable for 50Hz or 60Hz operation (230VAC Version Only)
ta	Ambient operating temperature -20°C to 70°C
	Business Users: If you wish to discard electrical and electronic equipment, please contact your dealer or supplier for further information. This symbol is only valid in the European Union. If you wish to discard this product, please contact your local authorities or dealer and ask for the correct method of disposal.



If you have any uncertainty about the installation or usage of the tube, please consult Craig & Derricott on the details below.