

Technical Data Sheet

EDDKG Die-Cast Aluminium Enclosed Switchgear



CDPD256
Issue 2

Die-Cast Aluminium Enclosed Switchgear

A range of Die-Cast Aluminium enclosed isolation equipment with sealing up to IP66. All units have a padlockable handle which allows for an insertion of up to three padlocks in the 'Off' position thus preventing the isolator being switched to the 'On' position. The units have the ability to add a 1N/O + 1 N/C auxiliary contact block. All units are interlocked in the ON position preventing the lid from being removed and when padlocked in the OFF position. Lockable in the ON position option is available on request. Compliant to IEC / BS EN 60947-3.

'N' = switched neutral (early make, late break) | 'NL' = unswitched neutral | 'EB' = early break auxiliary contacts | 'CO' = 1N/O + 1N/C auxiliary early break contacts

Add suffix '/10' to the Cat. No. for padlocking in the 'On' position e.g. EDDG633/10

Switch Disconnectors (O-I)									
Image	Rating	Format	Interior Switch	Cat No.	Encl. Size	Encl. Material	Encl. Colour	IP Rating	Cable Entries
	20A	6P	GX20	EDDG206	C	Die-Cast Aluminium	Light Grey RAL 7035	IP66	2 x M20 Btm only
		6P+2EB Aux		EDDG206EB					
	25A	2P	K25	EDDKG252	C	Die-Cast Aluminium	Light Grey RAL 7035	IP66	2 x M20 Btm only
		3P		EDDKG253					
		3P+N		EDDKG253N					
		3P+NL		EDDKG253NL					
		3P+1NO/1NC		EDDKG253CO					
	32A	2P	K32	EDDKG322	C	Die-Cast Aluminium	Light Grey RAL 7035	IP66	2 x M20 Btm only
		3P		EDDKG323					
		3P+N		EDDKG323N					
		3P+NL		EDDKG323NL					
		3P+1NO/1NC		EDDKG323CO					
	40A	2P	K40	EDDKG402	C	Die-Cast Aluminium	Light Grey RAL 7035	IP66	2 x M20 Btm only
		3P		EDDKG403					
		3P+N		EDDKG403N					
3P+NL		EDDKG403NL							
3P+1NO/1NC		EDDKG403CO							
	60A	6P	GX40	EDDG406	B	Die-Cast Aluminium	Light Grey RAL 7035	IP65	2 x M25 & 1 x M20 Btm Only
		6P+2EB Aux		EDDG406EB					
	63A	2P	CS63	EDDG632	B	Die-Cast Aluminium	Light Grey RAL 7035	IP65	2 x M25 & 1 x M20 Btm Only
		3P		EDDG633					
		3P+N		EDDG633N					
		3P+NL		EDDG633NL					
		3P+2EB Aux		EDDG633EB					
		6P		EDDG636					
		6P+2EB Aux		EDDG636EB					
	80A	2P	CS80	EDDG802	B	Die-Cast Aluminium	Light Grey RAL 7035	IP65	2 x M25 & 1 x M20 Btm Only
		3P		EDDG803					
		3P+N		EDDG803N					
		3P+NL		EDDG803NL					
		3P	GA080A	EDDG803T					
		3P+N		EDDG803NT					
3P+NL		EDDG803NLT							

Technical Data Sheet

EDDKG Die-Cast Aluminium Enclosed Switchgear

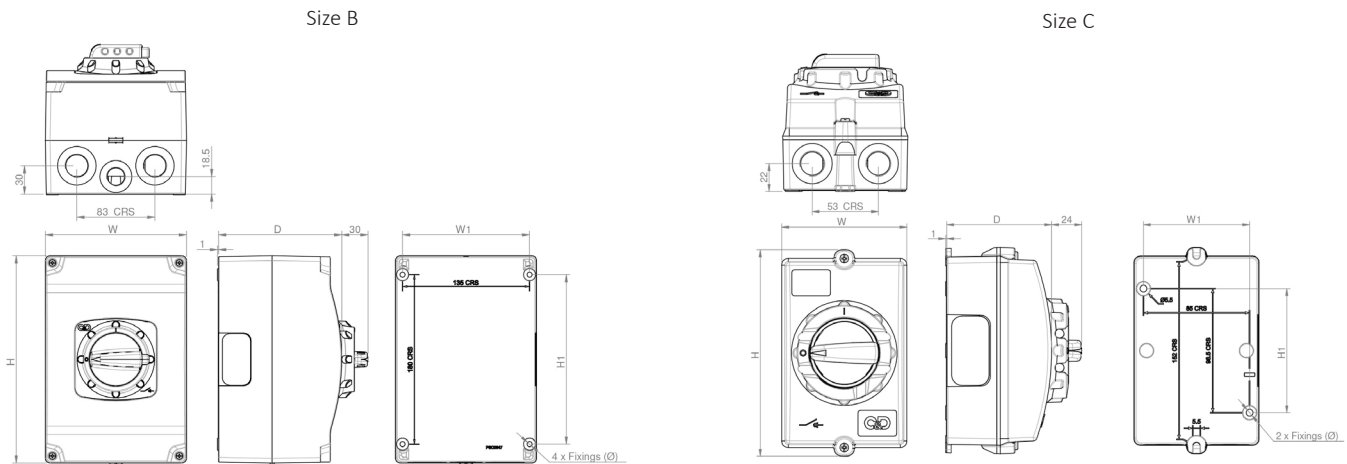
CDPD256
Issue 2

Technical Specification

Data supplied against tests to IEC/BS EN 60947-3

Application	Sym.	Unit	Category	20A	25A	32A	40A	63A	80A		
Interior switch		-		GX20	K25	K32	K40	GX40	CS63	CS80	GA080A
Rated thermal current	I_{the}	A		20	25	32	40	40	63	80	80
Rated insulation voltage	U_i	V		690	690	690	690	690	690	690	1000
Rated impulse voltage	U_{imp}	kV		6	4	4	4	6	6	6	8
Rated operational current	I_e	A	400V AC23A (3 phase AC 50/60Hz)	15	25	32	40	35	54	63	80
Rated operational power	I_e	kW	230V	2.2	3.9	5	6.0	6.0	9.4	-	-
	P_e		400V	7.5	7.5	11	15	18.5	25	30	45
Rated short time withstand current	I_{cw}	A	1 sec	250	500	500	800	800	1300	1400	2500
Max. fuse size for short circuit protection	gG	kA	10kA	20	35	35	40	40	80	80	80
			25kA	16	32	32	32	35	63	63	80
			50kA	-	32	32	32	-	63	63	80
Recommended connecting capacity	mm ²	Terminal type									
		Flexible cable	2.5x2	6	6	6	6 x 2	16	16	35	
		Rigid cable	2.5x2	10	10	10	10 x 2	25	25	35	
		Nm	Tightening torque	1.0	1.2	1.2	1.2	1.0	1.2	1.2	5-6
Operating Temperature Range			Ambient	-5°C to +40°C							

Dimensions



Encl. Size	Overall Dims.			Fixing Details		
	H	W	D	H1	W1	Ø
B	220	150	120	180	135	5.5
C	164	100	84.5	98.5	85	5.5