

# Technical Data Sheet

## Moulded Plastic Switchgear Range


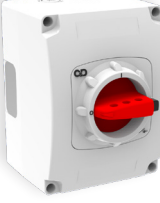

CDPD254  
Issue 2

### Moulded Plastic Enclosed Switchgear

A range of moulded plastic enclosed isolation equipment with sealing up to IP66. All units have a padlockable handle which allows for an insertion of up to three padlocks in the 'Off' position thus preventing the isolator being switched to the 'On' position. The units have the ability to add a 1N/O + 1N/C auxiliary contact block. All units are interlocked in the ON position preventing the lid from being removed and when padlocked in the OFF position. Lockable in the ON position option is available on request. Compliant to IEC / BS EN 60947-3.

'N' = switched neutral (early make, late break) | 'NL' = unswitched neutral | 'EB' = early break auxiliary contacts | 'CO' = 1N/O + 1N/C auxiliary early break contacts

Add suffix '/10' to the Cat. No. for padlocking in the 'On' position e.g. EDKP253/10

Switch Disconnectors (O-I)									
Image	Rating	Format	Interior Switch	Cat No.	Encl. Size	Encl. Material	Encl. Colour	IP Rating	Cable Entries
	20A	6P	GX20	EDP206	E	PC / ABS	Light Grey RAL 7035	IP66	2 x M20 Knock-outs Top & Btm
		6P+2EB Aux		EDP206EB					
	25A	2P	K25	EDKP252	E	PC / ABS	Light Grey RAL 7035	IP66	2 x M20 Knock-outs Top, Bottom and Back
		3P		EDKP253					
		3P+N		EDKP253N					
		3P+NL		EDKP253NL					
		3P+1NO/1NC		EDKP253CO					
	32A	2P	K32	EDKP322	E	PC / ABS	Light Grey RAL 7035	IP66	2 x M20 Knock-outs Top, Btm & Back
		3P		EDKP323					
		3P+N		EDKP323N					
		3P+NL		EDKP323NL					
		3P+1NO/1NC		EDKP323CO					
		40A	2P	CS40R	EDP402	B	PC / ABS	Light Grey RAL 7035	IP65
3P			EDP403						
6P			GX40	EDP406					
6P+2EB Aux				EDP406EB					
63A		2P	CS63	EDP632	B	PC / ABS	Light Grey RAL 7035	IP65	2 x M20/25 Knock-outs Top & Btm. Back Face - 2 x M20 Knock-outs
		3P		EDP633					
		3P+N		EDP633N					
		3P+NL		EDP633NL					
		3P+2EB Aux		EDP633EB					
	80A	2P	CS80	EDP802	C	PC	Light Grey RAL 7035	IP65	Blank Sides
		3P		EDP803					
		3P+N		EDP803N					
		3P+NL		EDP803NL					
		3P+2EB Aux		EDP803EB					

# Technical Data Sheet

## Moulded Plastic Switchgear Range

CDPD254  
Issue 2

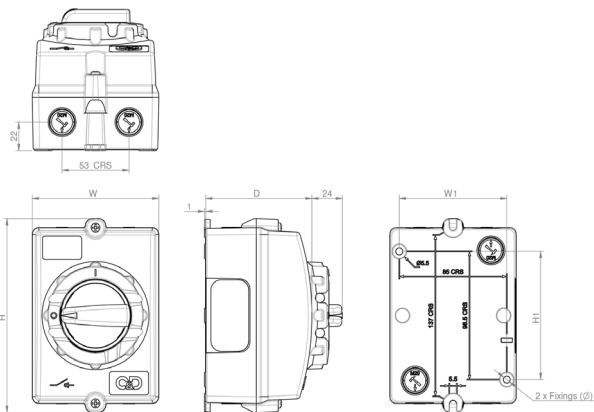
### Technical Specification

Data supplied against tests to IEC/BS EN 60947-3

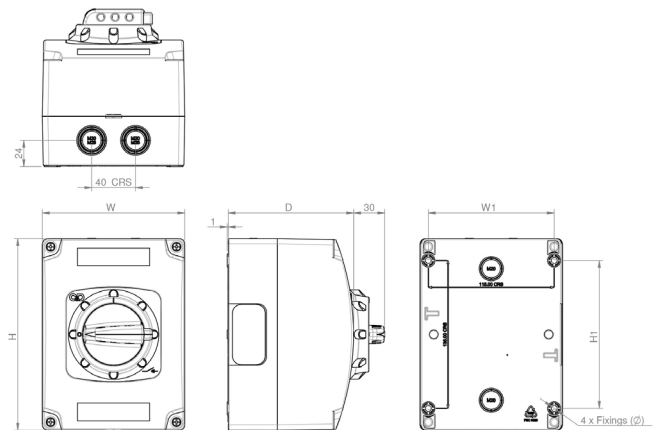
Fixed Lid Enclosed Switchgear											
Application	Sym.	Unit	Category	20A	25A	32A	40A	63A	80A		
Interior switch		-		GX20	K25	K32	CS40R	GX40	CS63	CS80	
Rated thermal current	$I_{the}$	A		20	25	32	40	40	63	80	
Rated insulation voltage	$U_i$	V		690	690	690	690	690	690	690	
Rated impulse voltage	$U_{imp}$	kV		6	4	4	6	6	6	6	
Rated operational current	$I_e$	A	400V AC23A (3 phase AC 50/60Hz)	15	25	32	32	35	54	63	
Rated operational power	$I_e$	kW	230V	2.2	3.9	5	6.0	6.0	9.4	-	
	$P_e$		400V	7.5	7.5	11	15	18.5	25	30	
Rated short time withstand current	$I_{cw}$	A	1 sec	250	500	500	600	800	1300	1400	
Max. fuse size for short circuit protection	gG	kA	10kA	20	35	35	40	40	80	80	
			25kA	16	32	32	32	35	63	63	
			50kA	-	32	32	32	-	63	63	
Recommended connecting capacity		-	Terminal type								
			mm <sup>2</sup>	Flexible cable	2.5 x 2	6	6	6	6 x 2	16	16
			mm <sup>2</sup>	Rigid cable	2.5 x 2	10	10	10	10 x 2	25	25
Operating Temperature Range		-	Tightening torque	1.0	1.2	1.2	1.2	1.0	1.2	1.2	
			Ambient	-5°C to +40°C							

### Dimensions

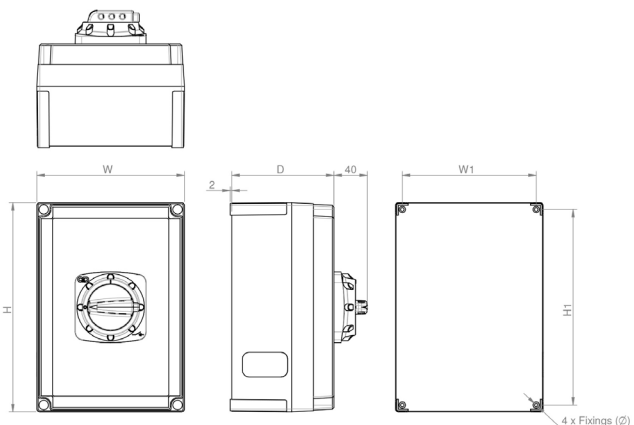
Size E



Size B



Size C



Encl. Size	Overall Dims.			Fixing Details		
	H	W	D	H1	W1	Ø
E	149	100	108.5	136.5 / 98.5	85	5.5
B	175	130	115	135	115	5.5
C	255	180	125	238.5	163.5	4.5