

Technical Data Sheet

EDMP Moulded Plastic Switchgear Range

CDPD275
Issue 1



General Description

A NEW range of moulded plastic enclosed isolation equipment with sealing up to IP66. This range of 4P isolators are rated 25A to 63A, providing a 3-in-1 switch for the end user. Each unit can be utilised for 2P, 3P and 4P requirements. The spacious IP66 moulded plastic enclosure, comes with four external fixing holes and an the option to remove the internal switch from the built in din rail for easy cabling and a quick installation.

All four variants have a red safety padlockable handle, which allows for an insertion of up to three padlocks in the 'Off' position thus preventing the isolator being switched to the 'On' position. All units are interlocked in the ON position preventing the lid from being removed and when padlocked in the OFF position. Lockable in the ON position option is available on request. Add suffix '/10' to the Cat. No. for padlocking in the 'On' position e.g. EDMP254/10.

Each unit has been independently tested and is competitively priced for the industrial market. Contact your local area sales manager today for more information. Compliant to IEC / BS EN 60947-3.

Switch Disconnectors (O-I)									
Image	Rating	Format	Interior Switch	Cat No.	Encl. Size	Encl. Material	Encl. Colour	IP Rating	Cable Entries
	25A	4P	K25	EDMP254	EA	PC / ABS	Light Grey RAL 7047	IP66	2xM12/M20 knock-outs top and btm
	32A	4P	K32	EDMP324	EA	PC / ABS	Light Grey RAL 7047	IP66	2xM12/M20 knock-outs top and btm
	40A	4P	K40	EDMP404	EA	PC / ABS	Light Grey RAL 7047	IP66	2xM12/M20 knock-outs top and btm
	63A	4P	K63	EDMP634	EB	PC / ABS	Light Grey RAL 7047	IP66	2xM20/M25 knock-outs top and btm

Technical Specification

Data supplied against tests to IEC/BS EN 60947-3

Application	Sym.	Unit	Category	25A	32A	40A	63A	
Interior switch		-		K25	K32	K40	K63	
Rated thermal current	I_{the}	A		25	32	40	63	
Rated insulation voltage	U_i	V		690	690	690	690	
Rated impulse voltage	U_{imp}	kV		4	4	4	6	
Rated operational current	I_e	A	400V AC23A (3 phase AC 50/60Hz)	25	32	40	63	
Rated operational power	I_e	kW	230V	3.9	5	6.0	9.4	
	P_e		400V	7.5	11	15	22	
Rated short time withstand current	I_{cw}	A	1 sec	500	500	800	800	
Max. fuse size for short circuit protection	gG	kA	10kA	35	35	40	63	
			25kA	32	32	32	50	
			50kA	32	32	32	50	
Recommended connecting capacity		-	Terminal type					
			mm ²	Flexible cable	6	6	6	16
			mm ²	Rigid cable	10	10	10	25
			Nm	Tightening torque	1.2	1.2	1.2	1.2
Operating Temp Range			Ambient	-5°C to +40°C				

Technical Data Sheet

EDMP Moulded Plastic Switchgear Range

CDPD275
Issue 1

Accessories

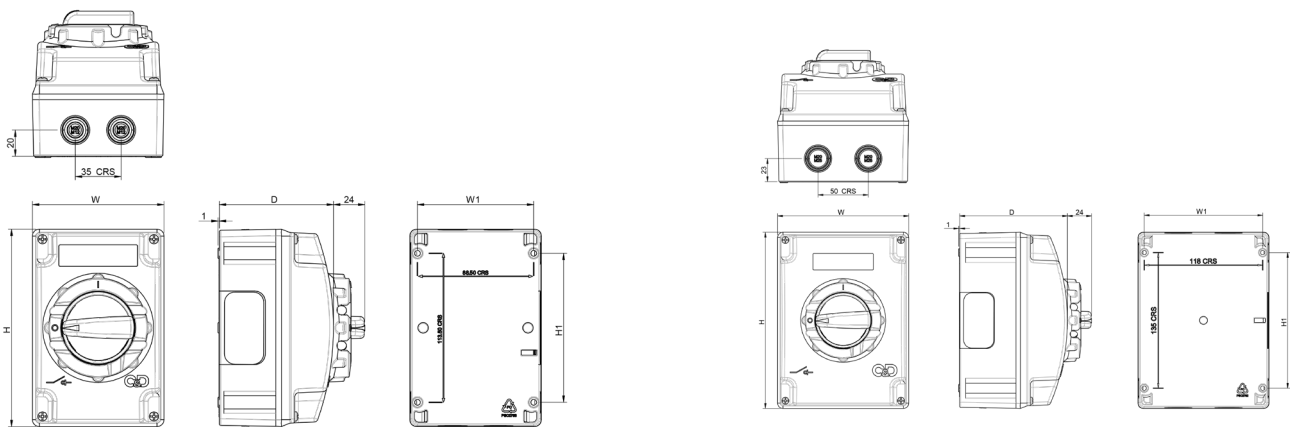
The contact block listed below can be retrofitted. One block can be fitted either side of the main assembly on the switch disconnector interior. Auxiliary contact blocks are supplied as 1 N/O+1 N/C. All N/O auxiliary contacts are early break with respect to the main poles when switching from 'On' to 'Off'. Data supplied against tests to IEC/BS EN 60947-5-1.

Application	Sym.	Category	SAUXKCO
Thermal current	I_{th}		12A
Rated insulation voltage	U_i		690V
Utilisation category	-	AC15	6A@110V 6A@230V 4A@400V
Max conditions	mm ²		2.5
Tightening torque	Nm		0.6

Dimensions

Size EA

Size EB



Encl. Size	Overall Dims.			Fixing Details	
	H	W	D	H1	W1
EA	150	100	87	113.5	88.5
EB	130	175	107	135	118