

# Technical Data Sheet

## Explosion Proof - Zone 22



CDPD272  
Issue 1

### Explosion Proof - Zone 22




Using high quality Die-Cast Aluminium and hinged door Sheet Steel enclosures the range covers 20A- 630A ratings. All items allow for the fitting of up to three padlocks in the 'Off' position. Units are inclusive of fixings outside of the enclosure seal area and an external earth point.

People normally think of such atmospheres as being gases, mists or vapours, however there are various industries where a conductive or non-conductive dust mixed with air in the right proportion can become explosive. It is these areas where the Craig & Derricott ATEX Group II (Zone 22) equipment can be used to help you comply with Health & Safety regulations.

### Certification and Approvals

- Certification Code  II 3D  
 tc III B T85°C Dc
- Certification standard BS EN 60079-0, BS EN 60079-31, BS EN 60529, BS EN 60947-3, BS EN 60204-1


#### Switch Disconnectors (O-I)

Image	Rating	Format	Cat. No.	Encl. Size	Encl. Material	Encl. Colour	IP Rating	Cable Entries
	20A	6P+2EB Aux	SDDG206EBZ22	A22	Die-Cast Aluminium	Light Grey RAL 7035	IP65	1 x M20 Top + 2 x M20 Bottom
	25A	3P+2EB Aux	SDDG253EBZ22	A22	Die-Cast Aluminium	Light Grey RAL 7035	IP65	1 x M20 Top + 2 x M20 Bottom
	32A	3P+2EB Aux	SDDG323EBZ22	A22	Die-Cast Aluminium	Light Grey RAL 7035	IP65	1 x M20 Top + 2 x M20 Bottom
		6P+2EB Aux	SDDG326EBZ22	B22				2 x M25 + 1 x M20 Bottom
	40A	3P+2EB Aux	SDDG403EBZ22	B22	Die-Cast Aluminium	Light Grey RAL 7035	IP65	2 x M25 + 1 x M20 Bottom
		6P+2EB Aux	SDDG406EBZ22					
63A	3P+2EB Aux	SDDG633EBZ22	B22	Die-Cast Aluminium	Light Grey RAL 7035	IP65	2 x M25 + 1 x M20 Bottom	
	32A	3P+N	EDG00323NZ22	1	Sheet Steel	Light Grey RAL 7035	IP65	Gland Plates
		3P+NL	EDG00323NLZ22					
	63A	3P+N	EDG00633NZ22	1	Sheet Steel	Light Grey RAL 7035	IP65	Gland Plates
		3P+NL	EDG00633NLZ22					
		3P+2EB Aux	EDG00633EBZ22					
		6P	EDG00636Z22					
	80A	6P+2EB Aux	EDG00636EBZ22	1	Sheet Steel	Light Grey RAL 7035	IP65	Gland Plates
		3P+N	EDG00803NZ22					
		3P+NL	EDG00803NLZ22					
	100A	6P	EDG00806Z22	1	Sheet Steel	Light Grey RAL 7035	IP65	Gland Plates
3P+N		EDG01003NZ22						
3P+NL		EDG01003NLZ22						
	125A	6P	EDG01006Z22	3	Sheet Steel	Light Grey RAL 7035	IP65	Gland Plates
		3P+N	EDG01253NZ22					
		3P+NL	EDG01253NLZ22					
	160A	6P	EDG01256Z22	2	Sheet Steel	Light Grey RAL 7035	IP65	Gland Plates
		3P+N	EDG01603NZ22					
		3P+NL	EDG01603NLZ22					
	200A	6P	EDG01606Z22	2	Sheet Steel	Light Grey RAL 7035	IP65	Gland Plates
		3P+N	EDG02003NZ22					
3P+NL		EDG02003NLZ22						
200A	6P	EDG02006Z22	4	Sheet Steel	Light Grey RAL 7035	IP65	Gland Plates	
	3P+N	EDG02003NZ22						
	3P+NL	EDG02003NLZ22						

# T e c h n i c a l   D a t a   S h e e t







## Explosion Proof - Zone 22

CDPD272  
Issue 1

Switch Disconnectors (O-I)								
Image	Rating	Format	Cat. No.	Encl. Size	Encl. Material	Encl. Colour	IP Rating	Cable Entries
	250A	3P+N	EDG02503NZ22	5	Sheet Steel	Light Grey RAL 7035	IP65	Gland Plates
		3P+NL	EDG02503NLZ22					
	400A	3P+N	EDG04003NZ22	6	Sheet Steel	Light Grey RAL 7035	IP65	Gland Plates
		3P+NL	EDG04003NLZ22					
	630A	3P+N	EDG06303NZ22	7	Sheet Steel	Light Grey RAL 7035	IP65	Gland Plates
		3P+NL	EDG06303NLZ22					

### Technical Specification

Data supplied against tests to IEC/BS EN 60947-3

Zone 22 Die-Cast Aluminium									
Application	Sym.	Unit	Category	20A	25A	32A	40A	40A	63A
Format	-	-	-	6P+2EB	3P+2EB	3P+6P	3P	6P	3P+6P
Rated thermal current	$I_{the}$	A	-	20	25	32	40	40	63
Rated insulation voltage	$U_i$	V	-	390	690	690	690	690	690
Rated impulse voltage	$U_{imp}$	kV	-	6	6	6.0	6.0	6.0	6.0
Rated operational current	$I_e$	A	400V AC23A (3 phase AC 50/60Hz)	15	25	32	40	40	54
Rated operational power (3 phase AC)	$I_e$	kW	230V	2.2	3.7	4.8	6.0	6.0	9.4
	$P_e$		400V	7.5	11	15	18.5	18.5	25
Rated short time withstand current (1 sec)	$I_{cw}$	A	-	250	500	600	600	600	1300
Max. fuse size for short circuit protection (gG Characteristic)	-	kA	10kA	20	35	35	40	40	80
			25kA	16	32	32	32	32	63
			50kA	-	32	32	32	32	63
Connecting capacity	-	-	Terminal type						
	-	mm <sup>2</sup>	Flexible cable	2.5 x 2	6	6	6	6	16
	-	mm <sup>2</sup>	Rigid cable	2.5 x 2	10	10	10	10	25
	-	Nm	Tightening torque	1.0	1.2	1.2	1.2	1.2	1.2

Zone 22 Sheet Steel															
Application	Sym.	Unit	Category	32	63		80	100	125	160	200	250	400	630	
				3P	3P	6P	3P	3P	3P	3P	3P	3P	3P	3P	3P
Format	-	-	-	3P	3P	6P	3P	3P	3P	3P	3P	3P	3P	3P	
Rated thermal current	$I_{the}$	A	-	32	63	63	80	100	125	160	200	250	400	630	
Rated insulation voltage	$U_i$	V	-	690	690	690	690	1000	1000	1000	1000	1000	1000	1000	
Rated impulse voltage	$U_{imp}$	kV	-	6	6	6	6	8	8	8	8	12	12	12	
Rated operational current (AC)	$I_e$	A	400V- AC21A	32	63	63	80	100	125	160	200	250*	400*	630*	
			690V- AC21A	32	63	63	80	100	125	160	200	250	400	630	
			400V- AC22A	-	-	-	-	100	125	160	200	250*	400*	630*	
			690V- AC22A	-	-	-	-	100	125	160	160	250	400	630	
			400V- AC23A	29	48	48	56	105	111	132	132	250*	400*	630*	
			690V- AC23A	17	33	33	33	-	-	-	-	250	350	350	
Rated operational current (DC)	$I_e$	A	Up to 48V- DC21A	32/1	63/1	63/1	80/1	-	-	-	-	250/2	400/2	630/1	
			220V- DC21A	-	-	-	-	-	-	-	-	-	250/2	400/2	630/2
			Up to 48V- DC22A	-	-	-	-	-	-	-	-	-	250/2	400/1	630/1
			220V- DC22A	-	-	-	-	-	-	-	-	-	250/2	400/2	630/2
			Up to 48V- DC23A	-	-	-	-	-	-	-	-	-	250/2	400/1	630/1
			220V- DC23A	-	-	-	-	-	-	-	-	-	250/2	400/2	630/2

# Technical Data Sheet

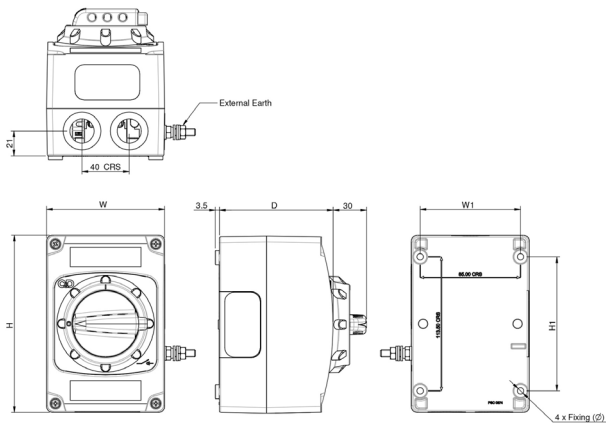
## Explosion Proof - Zone 22

CDPD272  
Issue 1

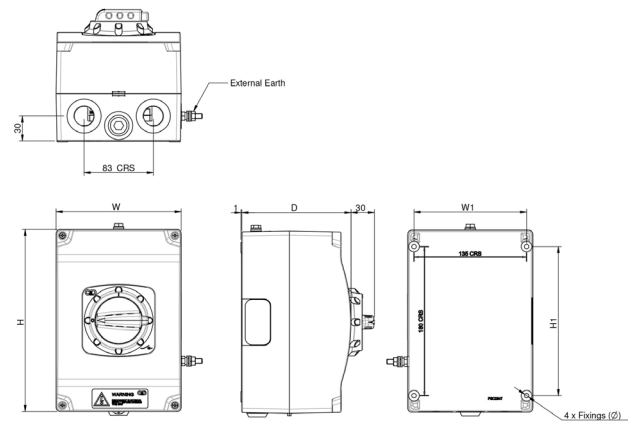
Zone 22 Sheet Steel															
Application	Sym.	Unit	Category	32	63		80	100	125	160	200	250	400	630	
				3P	3P	6P	3P	3P	3P	3P	3P	3P	3P	3P	
Rated operational power	P <sub>e</sub>	kW	400/415V- AC23A	15	25	25	30	59	63	75	75	132	200	315	
			690V- AC23A	15	30	30	30	51	55	55	55	200	315	355	
Short circuit making capacity	I <sub>cm</sub>	kA	Peak value	1.4	2.9	2.9	3	3.7	4	5	5	35	65	80	
Short circuit withstand (1sec)	I <sub>cw</sub>	kA	rms value	0.6	1.3	1.3	1.4	2.6	2.8	3	3	8	17	17	
Min. mechanical endurance	-	-	Operations (103)	250	250	500	250	50	50	50	50	16	10	10	
Min. electrical endurance	-	-	415V- at 0.65 pf	-	-	-	-	-	-	-	-	1,000	1,000	500	
Connecting capacity	-	-	Terminal type												
	-	mm <sup>2</sup>	Min/Max	2.5/10	2.5/25	2.5/25	2.5/25	-/50	-/70	-/70	-/95	120	2 x 150	2 x 185	
	-	mm	Stud/Cu palm width	-	-	-	-	-	-	-	-	8 x 25	10 x 30	10 x 30	12 x 40
	-	Nm	Tightening torque	1.2	1.2	1.2	1.2	5	5	5	5	10	30	30	50

### Dimensions

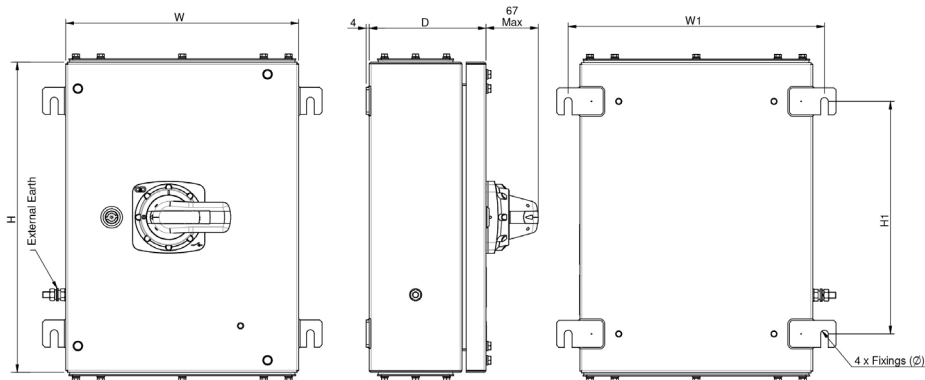
Size A22



Size B22



Sizes 1- 6



Encl. Size	Overall Dims.			Fixing Details		
	H	W	D	H1	W1	Ø
A22	150	100	96	113.5	85	5.5
B22	220	150	120	180	135	5.5
1	300	300	150	200	330	10
2	400	300	150	300	330	10
3	400	400	200	300	430	10
4	600	400	200	500	430	10
5	600	500	200	500	530	10
6	800	600	200	700	630	10