

Technical Data Sheet

F200 Fire Rated Switchgear

CDPD105
Issue 4

F200 Fire Rated Switchgear

The F200 Fire Rated products range is designed for installations where the supply must be maintained for 2 hours at 200°C.

Ranging from 20A to 200A, these units are supplied in IP66/65 Die-Cast Aluminium or IP65 Sheet Steel enclosures. All units come standard in a Traffic Red (RAL 3020) polyester powder coat finish, with padlocking in both 'Off' and 'On' positions.

'N' = switched neutral (early make, late break) | 'NL' = unswitched neutral | 'EB' = early break auxiliary contacts
'T' = Increased terminal capacity



Switch Disconnectors (O-I)

Image	Rating	Format	Cat No.	Encl. Size	Encl. Material	Encl. Colour	IP Rating	Cable Entries	
	20A	6P	F2SDDR206	A	Die-Cast Aluminium	Traffic Red RAL 3020	IP66	1xM20 +1xM25 Top & Btm	
		6P+2EB Aux	F2SDDR206EB						
	25A	2P	F2SDDR252	A	Die-Cast Aluminium	Traffic Red RAL 3020	IP66	1xM20 +1xM25 Top & Btm	
		3P	F2SDDR253						
		3P+N	F2SDDR253N						
		3P+NL	F2SDDR253NL						
		3P+2EB Aux	F2SDDR253EB						
	32A	2P	F2SDDR322	A	Die-Cast Aluminium	Traffic Red RAL 3020	IP66	1xM20 +1xM25 Top & Btm	
		3P	F2SDDR323						
		3P+N	F2SDDR323N						
		3P+NL	F2SDDR323NL						
		3P+2EB Aux	F2SDDR323EB						
		40A	2P	F2SDDR402	A	Die-Cast Aluminium	Traffic Red RAL 3020	IP66	1xM20 +1xM25 Top & Btm
			3P	F2SDDR403					
3P+N			F2SDDR403N						
3P+NL			F2SDDR403NL						
3P+2EB Aux			F2SDDR403EB						
40A		2P	F2SDDR402T	B	Die-Cast Aluminium	Traffic Red RAL 3020	IP65	2xM25 Top & Btm	
		3P	F2SDDR403T						
		3P+N	F2SDDR403NT						
		3P+NL	F2SDDR403NLT						
		3P+2EB Aux	F2SDDR403EBT						
		6P	F2SDDR406						
63A		2P	F2SDDR632	B	Die-Cast Aluminium	Traffic Red RAL 3020	IP65	2xM25 Top & Btm + 1xM20 Btm	
		3P	F2SDDR633						
		3P+N	F2SDDR633N						
	3P+NL	F2SDDR633NL							
	3P+2EB Aux	F2SDDR633EB							
80A	3P	F2SDDR803	B	Die-Cast Aluminium	Traffic Red RAL 3020	IP65	2xM32 Top & Btm		
	3P+NL	F2SDDR803N							
	3P+2EB Aux	F2SDDR803NL							
	63A	3P+N	F2SDRC00633N	1	Sheet Steel	Traffic Red RAL 3020	IP65	Gland Plates Top & Btm	
		3P+NL	F2SDRC00633NL						
		6P	F2SDRC00636						
	80A	3P+N	F2SDRC00803N	1	Sheet Steel	Traffic Red RAL 3020	IP65	Gland Plates Top & Btm	
		3P+NL	F2SDRC00803NL						
		6P	F2SDRC00806						
	100A	3P+N	F2SDRC01003N	2	Sheet Steel	Traffic Red RAL 3020	IP65	Gland Plates Top & Btm	
		3P+NL	F2SDRC01003NL						
	125A	3P+N	F2SDRC01253N	2	Sheet Steel	Traffic Red RAL 3020	IP65	Gland Plates Top & Btm	
		3P+NL	F2SDRC01253NL						
	160A	3P+N	F2SDRC01603N	2	Sheet Steel	Traffic Red RAL 3020	IP65	Gland Plates Top & Btm	
		3P+NL	F2SDRC01603NL						
	200A	3P+N	F2SDRC02003N	3	Sheet Steel	Traffic Red RAL 3020	IP65	Gland Plates Top & Btm	
		3P+NL	F2SDRC02003NL						

T e c h n i c a l D a t a S h e e t

F200 Fire Rated Switchgear

CDPD105
Issue 4

Technical Specification- Fire Rated

Data supplied against tests to IEC/BS EN 60947-3

F200 Fire Rated Switchgear																			
Application	Sym.	Unit	Category	20A	25A	32A	40A			63A	80A	100A	125A	160A	200A				
Switch product range	-	-		GX20	CS25	CS32	GX40	CS40	CS40R	CS63	CS80	CS100	CS125	CS160	CS200				
Rated thermal current	I_{the}	A		20	25	32	40	40	40	63	80	100	125	160	200				
Rated insulation voltage	U_i	V		690	690	690	690	690	690	690	690	1000	1000	1000	1000				
Rated impulse voltage	U_{imp}	kV		6	6	6	6	6	6	6	6	8	8	8	8				
Rated operational power (3 phase AC)		kW	400V / 415V AC23	7.5	11	15	18.5	18.5	15	25	30	59	63	75	75				
			690V AC23	7.5	15	15	15	22	15	30	30	51	55	55	55				
Rated short time withstand current (1 sec)	I_{cw}	A		250	500	600	800	1100	600	1300	1400	2600	2800	3000	3000				
Max. fuse size for short circuit protection (gG Characteristic)		kA	10kA	20	35	35	40	80	40	80	80	160	160	160	200				
			25kA	16	32	35	35	80	32	63	63	160	160	160	160				
			50kA	-	32	32	-	80	32	63	63	160	160	160	160				
Recommended connecting capacity			- Terminal type																
			mm ² Flexible cable	2.5x2	6	6	6 x 2	16	6	16	16	25	50	50	70				
			mm ² Rigid cable	2.5x2	10	10	10 x 2	25	10	25	25	50	70	70	95				
			Nm Tightening torque	1.0	1.2	1.2	1.0	1.2	1.2	1.2	1.2	1.2	2/5	2/5	2/5	12			
F400 Fire Rated Switchgear																			
Application	Sym.	Unit	Category	20A	25A	32A	40A	40AT	63A	80A	125A	160A	200A	250A	315A	400A	630A	1250A	
Rated thermal current	I_{the}	A		20	25	32	40	40	63	80	125	160	200	250	315	400	630	1250	
Rated insulation voltage	U_i	V		690	690	690	690	690	690	690	690	1000	1000	1000	1000	1000	1000	1000	
Rated impulse voltage	U_{imp}	kV		6	6	6	6	6	6	6	6	12	12	12	12	12	12	8	
Rated operational current (3 phase AC 50/60Hz)	I_e	A	400V / 415V AC23A	20	25	32	32	40	63	80	100	160	200	250	315	400	630	1250	
			690V AC23A	-	-	-	-	-	-	-	-	-	160	200	250	315	350	350	-
Rated operational power	P_e	kW	415V	9.5	11	15	15	18.5	30	40	55	90	110	132	175	200	315	500	
Conditional short circuit current	Fuse gG (A)	kA / Fuse (A)	415V	50 / 32	50 / 32	50 / 32	50 / 32	50 / 40	50 / 63	50 / 150	50 / 150	50 / 160	50 / 200	50 / 250	50 / 315	50 / 400	50 / 630	50 / 1250	
			690V	40 / 32	40 / 32	40 / 32	40 / 32	-	-	50 / 63	50 / 63	50 / 160	50 / 200	50 / 250	50 / 315	50 / 400	50 / 630	50 / 1250	
Short circuit making capacity	I_{cm}	kA	Peak value	-	-	-	-	-	-	-	-	35	35	35	65	65	80	105	
Short circuit withstand	I_{cw}	kA	RMS value	-	-	-	-	-	-	1.5	1.5	8	8	8	17	17	17	50.0	
Recommended connecting capacity			Terminal type																
			mm ² Flexible cable	6	6	6	6	10	10	50	50	95	95	120	2 / 150	2 / 150	2 / 185	4 / 300	
			mm ² Rigid cable	10	10	10	10	16	16*	35	50	95	95	120	2 / 150	2 / 150	2 / 185	4 / 300	
			mm Stud/Cu Palm Width	-	-	-	-	-	-	M10 / 21	M10 / 21	M10 / 30	M10 / 30	M10 / 30	M10 / 30	M10 / 30	M10 / 40	M10 / 40	M12 / 60
			Nm Tightening torque	1.2	1.2	1.2	1.2	2	2	12	12	30	30	30	30	30	30	30	50

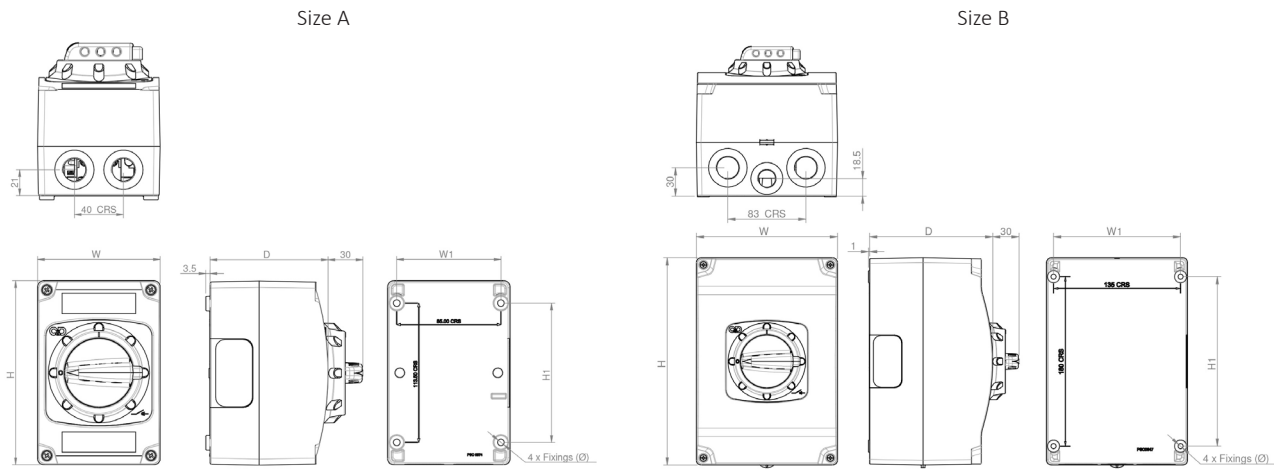
* 63A in Die-Cast Aluminium enclosure = 16mm². 63A in Sheet Steel enclosure = 25mm²

Technical Data Sheet

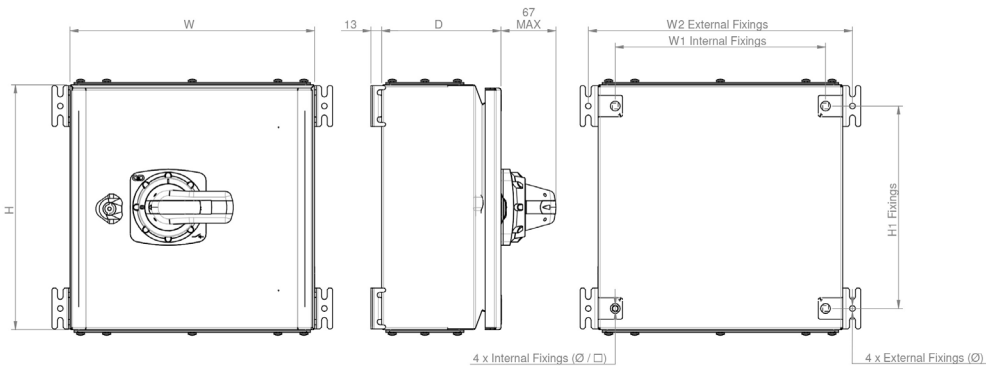
F200 Fire Rated Switchgear

CDPD105
Issue 4

Dimensions



Sizes 1-3



Encl. Size	Overall Dims.			Fixing Details			
	H	W	D	H1	W1	W2	Ø
A	150	100	96	113.5	85	--	5.5
B	220	150	120	180	135	--	5.5
1	300	300	150	248	258	324	7
2	300	300	200	248	258	324	7
3	400	300	150	348	258	324	7