

Technical Data Sheet

Moulded Plastic Switchgear Range

CDPD253
Issue 2

Moulded Plastic Enclosed Switchgear

A range of moulded plastic enclosed isolation equipment with sealing up to IP66. All units have a padlockable handle which allow for the insertion of up to three padlocks in the 'Off' position thus preventing the isolator being switched to the 'On' position. The units have the ability to add a selection of auxiliary blocks providing additional contacts and a choice of Neutral assemblies. All units are interlocked in the ON position preventing the lid from being removed and when padlocked in the OFF position. Compliant to IEC / BS EN 60947-3.

'N' = switched neutral (early make, late break) | 'NL' = unswitched neutral | 'EB' = early break auxiliary contacts



Add suffix '/10' to the Cat. No. for padlocking in the 'On' position e.g. SDP253/10

Switch Disconnectors (O-I)									
Image	Rating	Format	Interior Switch	Cat No.	Encl. Size	Encl. Material	Encl. Colour	IP Rating	Cable Entries
	20A	6P	GX20	SDP206	A	PC / ABS	Light Grey RAL 7035	IP66	2 x M20 Knock-outs Top & Btm
		6P+2EB Aux		SDP206EB					
	25A	2P	CS25	SDP252	A	PC / ABS	Light Grey RAL 7035	IP66	2 x M20 Knock-outs Top & Btm
		3P		SDP253					
		3P+N		SDP253N					
		3P+NL		SDP253NL					
		3P+2EB Aux		SDP253EB					
	32A	2P	CS32	SDP322	A	PC / ABS	Light Grey RAL 7035	IP66	2 x M20 Knock-outs Top & Btm
		3P		SDP323					
		3P+N		SDP323N					
		3P+NL		SDP323NL					
		3P+2EB Aux		SDP323EB					
		40A	2P	CS40R	SDP402	B	PC / ABS	Light Grey RAL 7035	IP65
3P			SDP403						
3P+N			SDP403N						
3P+NL			SDP403NL						
3P+2EB Aux			SDP403EB						
6P		GX40	SDP406						
			SDP406EB						
63A		2P	CS63	SDP632	B	PC / ABS	Light Grey RAL 7035	IP65	2 x M20/25 Knock-outs Top & Btm. Back Face - 2 x M20 Knock-outs
		3P		SDP633					
		3P+N		SDP633N					
		3P+NL		SDP633NL					
		3P+2EB Aux		SDP633EB					
		80A	2P	CS80	SDP802	C	PC	Light Grey RAL 7035	IP65
	3P		SDP803						
	3P+N		SDP803N						
	3P+NL		SDP803NL						
	3P+2EB Aux		SDP803EB						
	100A	2P	CS100	SDP1002	D	PC	Light Grey RAL 7035	IP65	Blank Sides
		3P		SDP1003					
		3P+N		SDP1003N					
		3P+NL		SDP1003NL					
		3P+2EB Aux		SDP1003EB					

Technical Data Sheet









Moulded Plastic Switchgear Range

CDPD253
Issue 2

Changeover Switch Disconnectors (I-O-II)									
Image	Rating	Format	Interior Switch	Cat No.	Encl. Size	Encl. Material	Encl. Colour	IP Rating	Cable Entries
	20A	2P	GX20	SCODP202	A	PC / ABS	Light Grey RAL 7035	IP66	2 x M20 k]Knock-outs Top & Btm
		3P		SCODP203					
		4P		SCODP204					
	40A	2P	GX40	SCODP402	B	PC / ABS	Light Grey RAL 7035	IP65	2 x M20/25 Knock-outs Top & Btm. Back Face - 2 x M20 Knock-outs
		3P		SCODP403					
		4P		SCODP404					

Technical Specification

Data supplied against tests to IEC/BS EN 60947-3

Fixed Lid Enclosed Switchgear											
Application	Sym.	Unit	Category	20A	25A	32A	40A		63A	80A	100A
Interior switch		-		GX20	CS25	CS32	CS40R	GX40	CS63	CS80	CS100
Rated thermal current	I_{the}	A		20	25	32	40	40	63	80	100
Rated insulation voltage	U_i	V		690	690	690	690	690	690	690	1000
Rated impulse voltage	U_{imp}	kV		6	6	6	6	6	6	6	8
Rated operational current	I_e	A	400V AC23A (3 phase AC 50/60Hz)	15	25	32	32	35	54	63	100
Rated operational power	I_e	kW	230V	2.2	3.7	4.8	6.0	6.0	9.4	-	-
	P_e		400V	7.5	11	15	15	18.5	25	30	59
Rated short time withstand current	I_{cw}	A	1 sec	250	500	600	600	800	1300	1400	2600
Max. fuse size for short circuit protection	gG	kA	10kA	20	35	35	40	40	80	80	160
			25kA	16	32	32	32	35	63	63	160
			50kA	-	32	32	32	-	63	63	160
Recommended connecting capacity		-	Terminal type								
		mm ²	Flexible cable	2.5 x 2	6	6	6	6 x 2	16	16	50
		mm ²	Rigid cable	2.5 x 2	10	10	10	10 x 2	25	25	25
		Nm	Tightening torque	1.0	1.2	1.2	1.2	1.0	1.2	1.2	5
Operating Temperature Range			Ambient	-5°C to +40°C							

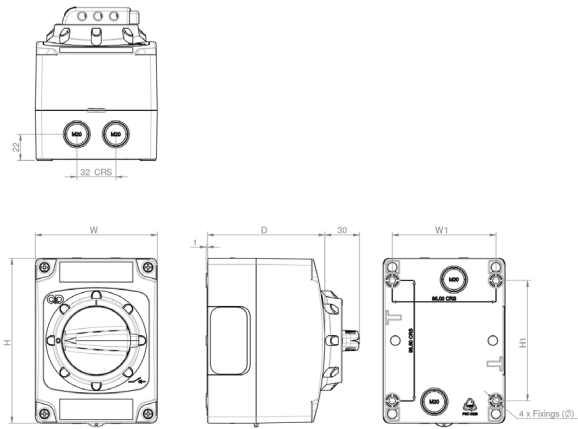
Technical Data Sheet

Moulded Plastic Switchgear Range

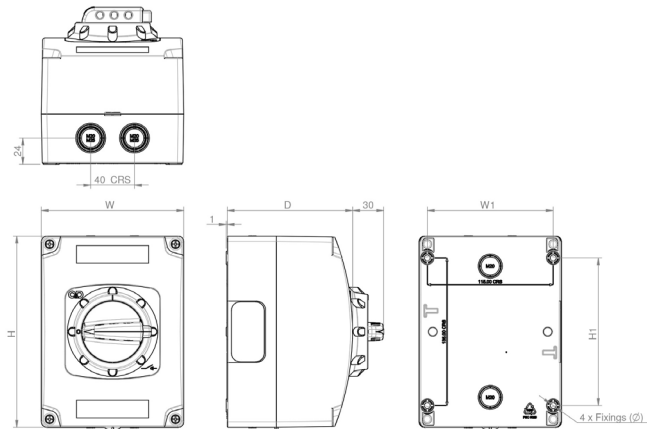
CDPD253
Issue 2

Dimensions

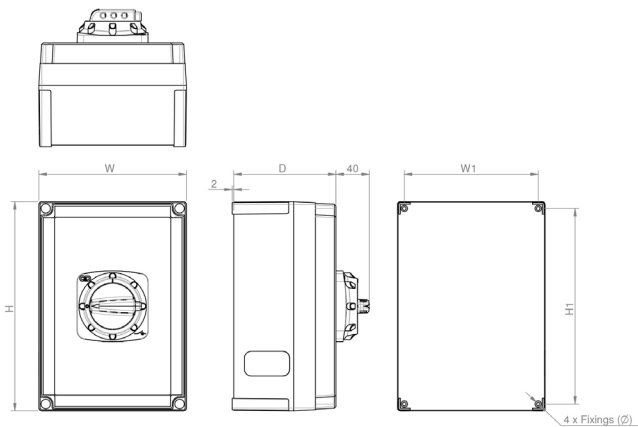
Size A



Size B



Sizes C & D



Encl. Size	Overall Dims.			Fixing Details		
	H	W	D	H1	W1	Ø
A	135	100	95	98.5	85	5.5
B	175	130	115	135	115	5.5
C	255	180	125	238.5	163.5	4.5
D	255	180	175	238.5	163.5	4.5