

Technical Data Sheet

Stainless Steel Enclosed Switchgear Range

CDPD113
Issue 4

Stainless Steel Enclosed Switchgear

A range of isolation equipment housed in Grade 304 Stainless Steel enclosures sealed to IP66. All units have a padlockable handle which allow for the insertion of up to three padlocks in the 'Off' position thus preventing the isolator being switched to the 'On' position. All units are interlocked in the ON position preventing the lid from being removed.

As a standard feature the units have the ability to add a selection of auxiliary blocks providing additional contacts and a choice of Neutral assemblies. External mounting feet in Stainless Steel are offered as an accessory sized to match each enclosure. The range is supplied with a handle manufactured from a material suitable to withstand cleaning products containing sodium hydroxide.

Stainless Steel Grade 316 enclosures are available on request.

'N' = switched neutral (early make, late break) | 'NL' = unswitched neutral | 'EB' = early break auxiliary contacts

Switch Disconnectors (O-I)									
Image	Rating	Format	Interior Switch	Cat No.	Encl. Size	Encl. Material	Encl. Colour	IP Rating	Cable Entries
	20A	6P	GX20	SDS206	A	Stainless Steel Grade 304	Brushed Satin Finish	IP66	2 x M20
		6P+2EB Aux		SDS206EB					
	25A	2P	CS25	SDS252	A	Stainless Steel Grade 304	Brushed Satin Finish	IP66	2 x M20
		3P		SDS253					
		3P+N		SDS253N					
		3P+NL		SDS253NL					
		3P+2EB Aux		SDS253EB					
	32A	2P	CS32	SDS322	A	Stainless Steel Grade 304	Brushed Satin Finish	IP66	2 x M20
		3P		SDS323					
		3P+N		SDS323N					
		3P+NL		SDS323NL					
		3P+2EB Aux		SDS323EB					
		40A	2P	CS40R	SDS402	B	Stainless Steel Grade 304	Brushed Satin Finish	IP66
3P			SDS403						
3P+N			SDS403N						
3P+NL			SDS403NL						
3P+2EB Aux			SDS403EB						
6P		GX40	SDS406	B	Stainless Steel Grade 304	Brushed Satin Finish	IP66	2 x M20 + 2 x M25	
			6P+2EB Aux						SDS406EB
63A		2P	CS63	SDS632	B	Stainless Steel Grade 304	Brushed Satin Finish	IP66	2 x M20 + 2 x M25
		3P		SDS633					
		3P+N		SDS633N					
		3P+NL		SDS633NL					
	3P+2EB Aux	SDS633EB							
Changeover Switch Disconnectors (I-O-II)									
	20A	2P	GX20	SCODS202	A	Stainless Steel Grade 304	Brushed Satin Finish	IP66	2 x M20
		3P		SCODS203					
		4P		SCODS204					
	40A	2P	GX40	SCODS402	B	Stainless Steel Grade 304	Brushed Satin Finish	IP66	2 x M20 + 2 x M25
		3P		SCODS403					
		4P		SCODS404					

Technical Data Sheet

Stainless Steel Enclosed Switchgear Range

CDPD113
Issue 4

Stainless Steel Sloping Roof Enclosed Switchgear

A range of isolation equipment housed in Grade 316 Stainless Steel enclosures, supplied with a specially designed Stainless Steel 'sloping roof'. These units are ideally suited for hygienic environments with their associated severe cleaning routines. The design has been created to minimise areas where dirt can accumulate and incorporates a flush rear surface and universal fixing sealed to IP66.

All units are supplied with a handle manufactured from a material suitable to withstand cleaning products containing sodium hydroxide. All units have a padlockable handle which allow for the insertion of up to three padlocks in the 'Off' position thus preventing the isolator being switched to the 'On' position. All units are interlocked in the ON position preventing the lid from being removed.

'N' = switched neutral (early make, late break) | 'EB' = early break auxiliary contacts

Optional pre-drilled bottom entries can be supplied. For 2xM20 in Size A Enclosures add suffix '/M20' to the Cat. No. E.g. SDSSR253/M20 | For 2xM25 in Size B Enclosures add suffix '/M25' to the Cat. No. E.g. SDSSR253/M25.

Switch Disconnectors (O-I)										
Image	Rating	Format	Interior Switch	Cat No.	Encl. Size	Fascia plate Material	Encl. Material	IP Rating	Roof Angle	Cable Entries
	20A	6P	GX20	SDSSR206	A	Stainless Steel Grade 316	Brushed Satin Finish	IP66	15° Slope	None
		6P+2EB Aux		SDSSR206EB						
	25A	2P	CS25	SDSSR252	A	Stainless Steel Grade 316	Brushed Satin Finish	IP66	15° Slope	None
		3P		SDSSR253						
		3P+N		SDSSR253N						
		3P+2EB Aux		SDSSR253EB						
	32A	2P	CS32	SDSSR322	A	Stainless Steel Grade 316	Brushed Satin Finish	IP66	15° Slope	None
		3P		SDSSR323						
		3P+N		SDSSR323N						
		3P+2EB Aux		SDSSR323EB						
	40A	2P	CS40R	SDSSR402	B	Stainless Steel Grade 316	Brushed Satin Finish	IP66	15° Slope	None
		3P		SDSSR403						
		3P+N		SDSSR403N						
		3P+2EB Aux		SDSSR403EB						
	40A	6P	GX40	SDSSR406	B	Stainless Steel Grade 316	Brushed Satin Finish	IP66	15° Slope	None
		6P+2EB Aux		SDSSR406EB						
	63A	2P	CS63	SDSSR632	B	Stainless Steel Grade 316	Brushed Satin Finish	IP66	15° Slope	None
		3P		SDSSR633						
		3P+N		SDSSR633N						
		3P+2EB Aux		SDSSR633EB						
80A	2P	CS80	SDSSR802	B	Stainless Steel Grade 316	Brushed Satin Finish	IP66	15° Slope	None	
	3P		SDSSR803							
	3P+N		SDSSR803N							
	3P+2EB Aux		SDSSR803EB							

Technical Data Sheet

Stainless Steel Enclosed Switchgear Range

CDPD113
Issue 4

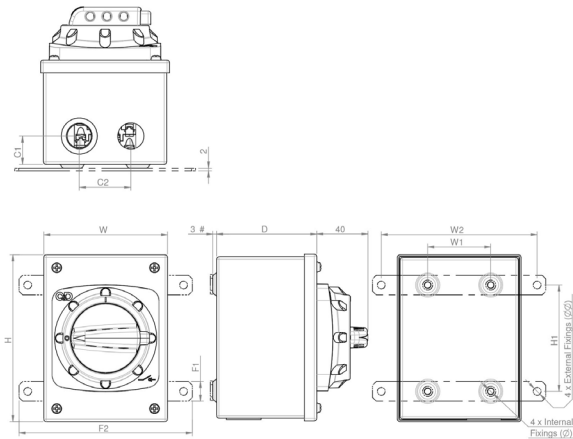
Technical Specification

Data supplied against tests to IEC/BS EN 60947-3

Fixed Lid Enclosed Switchgear										
Application	Sym.	Unit	Category	20A	25A	32A	40A	63A	80A	
Interior switch		-		GX20	CS25	CS32	CS40R	GX40	CS63	CS80
Rated thermal current	I_{the}	A		20	25	32	40	40	63	80
Rated insulation voltage	U_l	V		690	690	690	690	690	690	690
Rated impulse voltage	U_{imp}	kV		6	6	6	6	6	6	6
Rated operational current	I_e	A	400V AC23A (3 phase AC 50/60Hz)	15	25	32	32	35	54	63
Rated operational power	I_e	kW	230V	2.2	3.7	4.8	6.0	6.0	9.4	-
	P_e		400V	7.5	11	15	15	18.5	25	30
Rated short time withstand current	I_{cw}	A	1 sec	250	500	600	600	800	1300	1400
Max. fuse size for short circuit protection	gG	kA	10kA	20	35	35	40	40	80	80
			25kA	16	32	32	32	35	63	63
			50kA	-	32	32	32	-	63	63
Recommended connecting capacity	-	-	Terminal type							
		mm ²	Flexible cable	2.5x2	6	6	6	6x2	16	16
		mm ²	Rigid cable	2.5x2	10	10	10	10x2	25	25
		Nm	Tightening torque	1.0	1.2	1.2	1.2	1.0	1.2	1.2
Operating Temperature Range			Ambient	-5°C to +40°C						

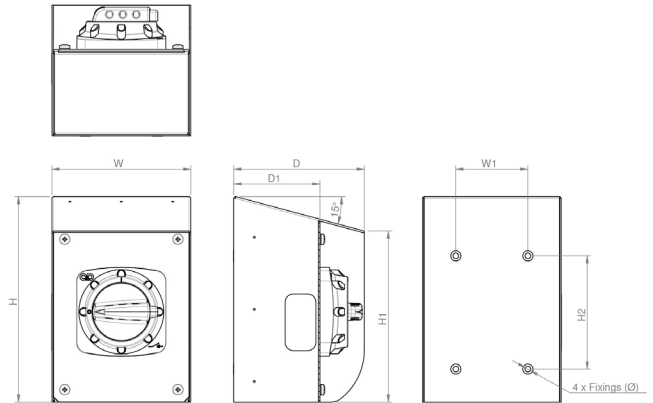
Dimensions

SDS Stainless Steel Range



Encl. Size	Overall Dims.					
	H	W	D			
A	135	100	80			
B	175	130	100			
C	310	200	100			
Encl. Size	Fixing Details					
	W1	W2	F1	F2	Ø	ØØ
A	51	126	16	140	5.5	6.35
B	81	155	16	178	5.5	6.35
C	146	228	20	249	5.5	6.35

SDSSR Stainless Steel Sloping Roof Range



Encl. Size	Overall Dims.			Fixing Details				
	H	W	D	H1	H2	W1	D1	Ø
A	200	135	127	165	110	70	80	5.5
B	240	185	147	200	130	90	100	5.5

*Stainless Steel enclosures are supplied without dimples to allow flush mounting