



EASY FIT EV CHARGER

Introducing I-ON Charge : A collection of secure and reliable, easy to install electric vehicle charging units, manufactured in the UK.

EASY FIT CHARGERS | VALUE FOR MONEY

 **MADE IN
BRITAIN**



GET I-ON CHARGED

ION CHARGE

Easy fix, elegant charging solution for residential and business locations. Manufactured in the UK by Craig & Derricott, our Type 2 fast charging units are suitable for electric and plug-in hybrid vehicles.

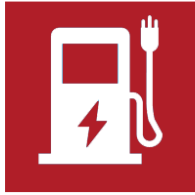
3Year
WARRANTY

- Tethered or socketed (untethered) options
- 7.4kW Mode 3 fast charging
- UK type 2 charger connection
- Integrated RFID reader
- Supplied with RFID master card and operating fob
- Built-in PEN fault protection- no earth rod required
- 6mA DC Integrated protection for DC leakage
- 4 x Configurable ratings 13A, 16A, 24A, 32A
- Single phase- 230V 50/60 Hz charging only
- Maximum incoming cable 10mm²
- IP55 ingress protection
- Easy fit mains and tethered cables using Degson toggle clamp terminals (screwless)
- LED EV charger status indication

CDPD240 Issue 2 © 2022

Craig & Derricott | 46 Hall Lane | Walsall Wood | Walsall | West Midlands | WS9 9DP | United Kingdom
info@craigandderricott.com | +44(0)1543 375 541 | www.craigandderricott.com

OUR KEY TO EV CHARGING



Convenient EV charging for residential locations



EV business solution for employees and visitors



32A single phase fast charging



Faster charging than Mode 2 with advanced communication with the vehicle



Tethered lead option for convenience - just park and plug in



Ingress protection against particles (1st digit) and liquids (2nd digit)

ION CHARGE RANGE

This range of 32A (7.4 kW) single phase EV chargers are an easy to fit solution for residential and business locations, complete with built in overload, ground fault and surge protection. Each charger is supplied with a RFID master card and fob, allowing vehicle charging authorisation when swiped against the unit. Spare RFID activation fobs are available on request: Cat. No. EVC0015.

Compliant to: EN61851- 1 & 22 | EN62196 | EN62955 | LV directive 2014/35/EU | EMC Directive 2014/30/EU | RoHS Directive 2011/65/EU

Socketed EV Charger:- Cat. No. EV03220000



- 32A (7.4 kW) single phase charging
- LED status indication
- Independent wall mounting bracket
- 1x M20 plastic cable glands plus blanking plug
- Type 2 socket connection

Tethered EV Charger:- Cat. No. EV03220010

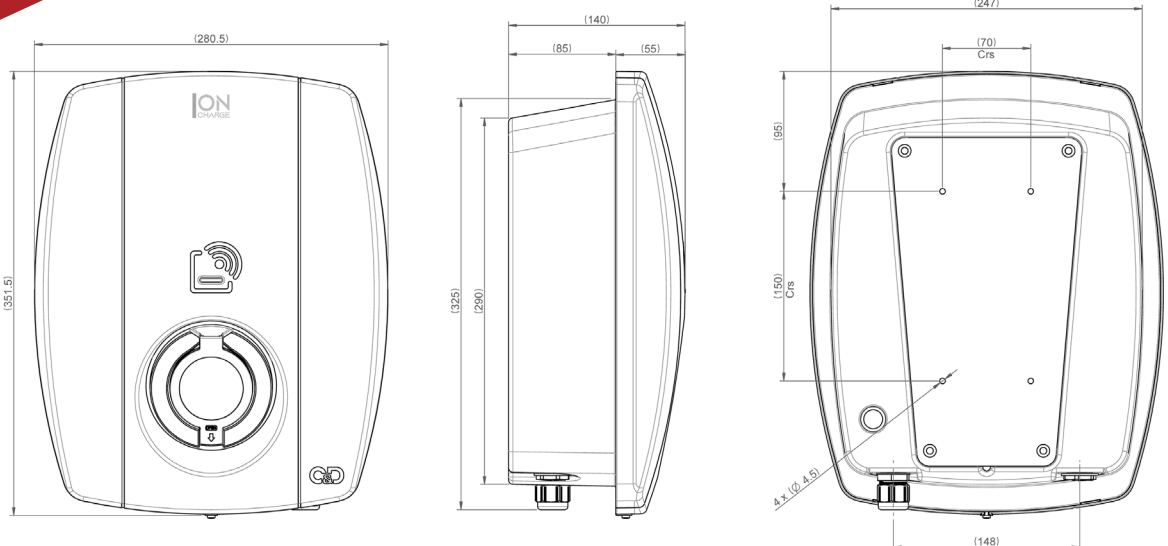


- 32A (7.4 kW) single phase charging
- LED status indication
- Independent wall mounting bracket
- 2x M20 plastic cable glands
- Type 2 holster, car plug and 5 metre cable



ION CHARGE DIMENSIONS

SOCKETED (UNTETHERED)



TETHERED

