

# Technical Data Sheet

## EDMP Moulded Plastic Switchgear Range

CDPD275  
Issue 2

### General Description

A NEW range of moulded plastic enclosed isolation equipment with sealing up to IP66. This range of 4P isolators are rated 25A to 100A, providing a 3-in-1 switch for the end user. Each unit can be utilised for 2P, 3P and 4P requirements. The spacious IP66 moulded plastic enclosure, comes with four external fixing holes and an the option to remove the internal switch from the built in din rail for easy cabling and a quick installation.



All four variants have a red safety padlockable handle, which allows for an insertion of up to two padlocks in the 'Off' position thus preventing the isolator being switched to the 'On' position. All units are interlocked in the ON position preventing the lid from being removed and when padlocked in the OFF position. Lockable in the ON position option is available on request. Add suffix '/10' to the Cat. No. for padlocking in the 'On' position e.g. EDMP254/10.

Each unit has been independently tested and is competitively priced for the industrial market. Contact your local area sales manager today for more information. Compliant to IEC / BS EN 60947-3.

Switch Disconnectors (O-I)									
Image	Rating	Format	Interior Switch	Cat No.	Encl. Size	Encl. Material	Encl. Colour	IP Rating	Cable Entries
	25A	4P	K25	EDMP254	EA	PC / ABS	Light Grey RAL 7047	IP66	2xM12/M20 knock-outs top and btm
	32A	4P	K32	EDMP324	EA	PC / ABS	Light Grey RAL 7047	IP66	2xM12/M20 knock-outs top and btm
	40A	4P	K40	EDMP404	EA	PC / ABS	Light Grey RAL 7047	IP66	2xM12/M20 knock-outs top and btm
	40A	4P	K40H	EDMP404H	EB	PC / ABS	Light Grey RAL 7047	IP66	2xM20/M25 knock-outs top and btm
	63A	4P	K63	EDMP634	EB	PC / ABS	Light Grey RAL 7047	IP66	2xM20/M25 knock-outs top and btm
	80A	4P	K80	EDMP804	EC	PC / ABS	Light Grey RAL 7047	IP65	2xM32/M25 & 1xM20 top and btm
	100A	4P	K100	EDMP1004	EC	PC / ABS	Light Grey RAL 7047	IP65	2xM32/M25 & 1xM20 top and btm

### Technical Specification

Data supplied against tests to IEC/BS EN 60947-3

Application	Symbol	Unit	Category	25A	32A	40A	40A (H)	63A	80A	100A	
Interior Switch	-	-	-	K25	K32	K40	K40H	K63	K80	K100	
Rated Thermal Current	$I_{the}$	A	-	25	32	40	40	63	80	100	
Rated Insulation Voltage	$U_i$	V	-	690	690	690	690	690	690	690	
Rated Impulse Voltage	$U_{imp}$	Kv	-	4	4	4	6	6	6	6	
Rated Operational Current	$I_e$	A	400V AC23A (3 Phase AC50/60Hz)	25	32	40	40	63	80	100	
Rated Operational Power	$I_e$	Kw	230V	3.9	5	6	6	9.4	18.4	23	
	$P_e$		400V	7.5	11	15	15	22	30	37	
Rated Short Time Withstand Current	$I_{cw}$	A	1 Sec	500	500	800	800	800	2000	2000	
Max. Fuse For Short Circuit Protection	gG	kA	10kA	35	35	40	40	63	-	-	
			25kA	32	32	32	40	50	-	-	
			50kA	32	32	32	40	50	-	-	
Recommended Connecting Capacity		-	Terminal Type								
			mm <sup>2</sup>	Flexible Cable	6	6	6	16	16		
			mm <sup>2</sup>	Rigid Cable	10	10	10	25	25	25	35
Operating Temp Range			Tightening Torque	1.2	1.2	1.2	1.2	1.2	2	2	
			Ambient	-5°C to +40°C							

# Technical Data Sheet

## EDMP Moulded Plastic Switchgear Range

CDPD275  
Issue 2

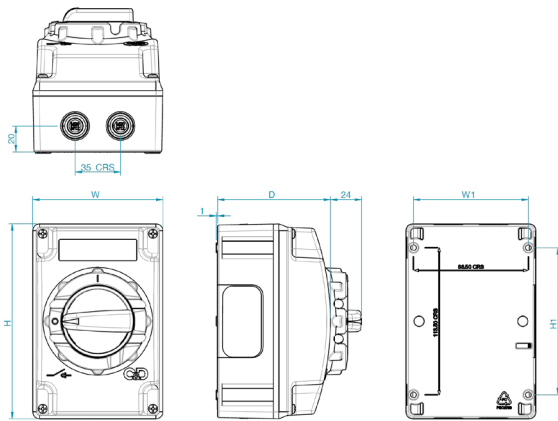
### Accessories

The contact block listed below can be retrofitted. One block can be fitted either side of the main assembly on the switch disconnecter interior. Auxiliary contact blocks are supplied as 1 N/O+1 N/C. All N/O auxiliary contacts are early break with respect to the main poles when switching from 'On' to 'Off'. Data supplied against tests to IEC/BS EN 60947-5-1.

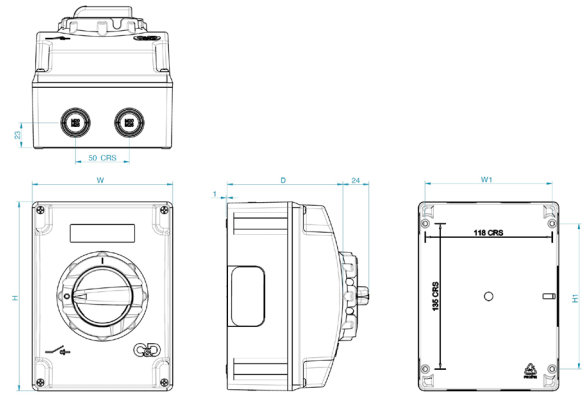
Application	Sym.	Category	SAUXKCO
Thermal current	$I_{th}$		12A
Rated insulation voltage	$U_i$		690V
Utilisation category	-	AC15	6A@110V   6A@230V   4A@400V
Max conditions	mm <sup>2</sup>		2.5
Tightening torque	Nm		0.6

### Dimensions

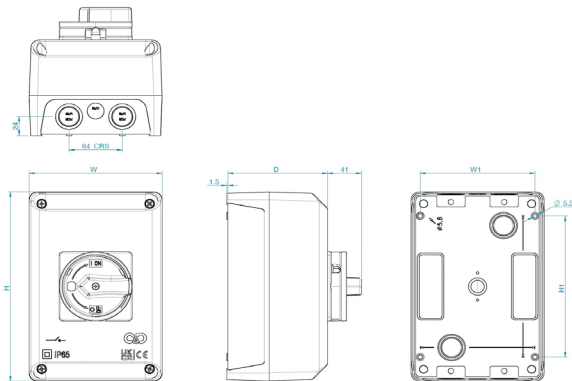
Size EA



Size EB



Size EC



Encl. Size	Overall Dims.			Fixing Details	
	H	W	D	H1	W1
EA	150	100	87	113.5	88.5
EB	175	130	107	135	118
EC	240	160	120	179	138